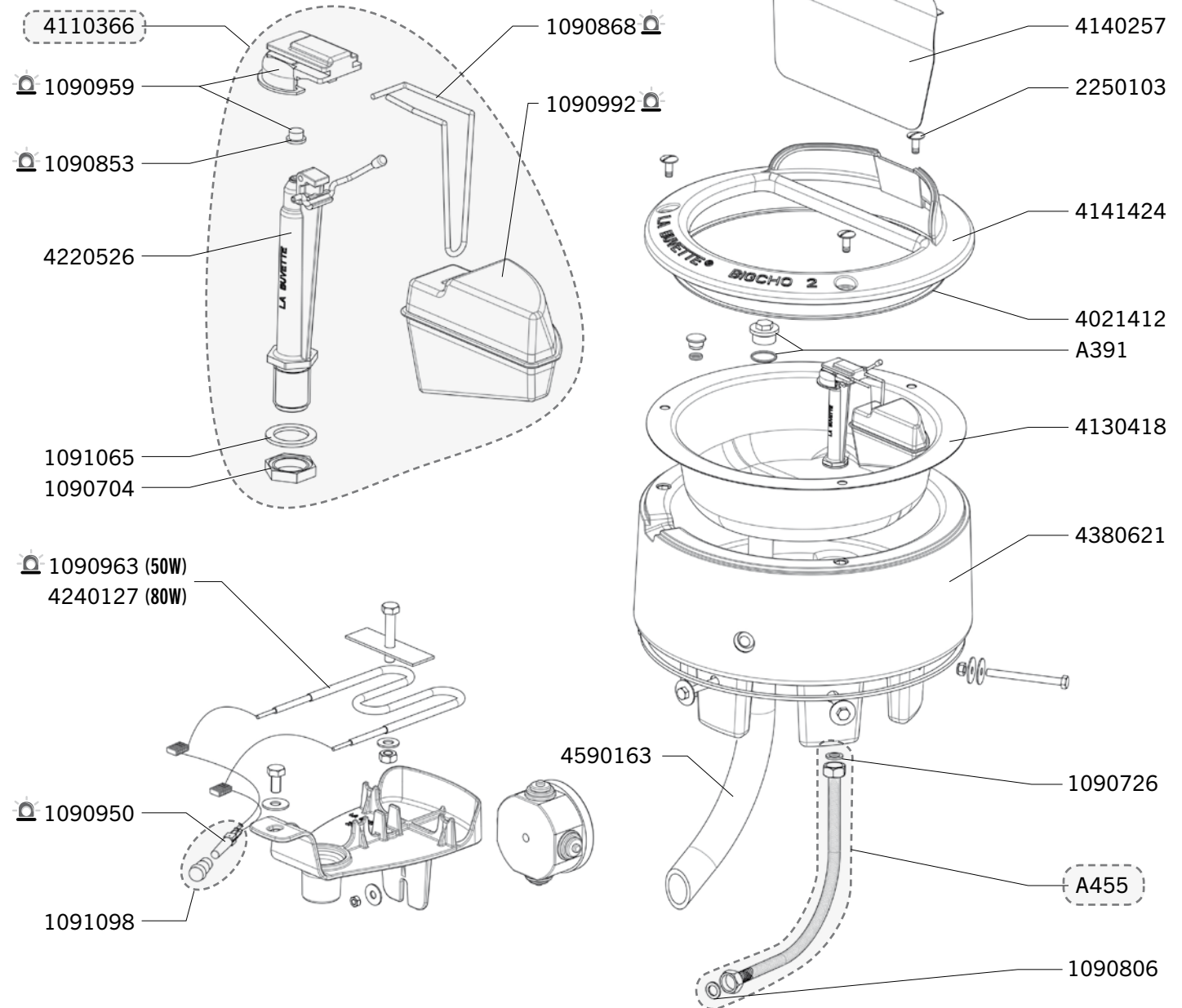


BIGCHO 2

Ref.1639 - 1712 - 1839

| Ship. | Code | Designation |
|-------|---------|---|
| J+5 | A391 | PLUG 3/4" STAINLESS STEEL |
| J+5 | A455 | ST. ST. BRAIDED HOSE FF 1/2" LG00 - FITTING MM 1/2" (BLISTER) |
| J+5 | 1090704 | 10 X NUTS 1/2 GZ |
| J+5 | 1090726 | 20 X RUBBERS |
| J+5 | 1090806 | BAG OF 10 WASHERS 18,6X6X6 |
| J+5 | 1090853 | VALVE SEAL LAC 5 (X5) BLISTER PACK |
| J+5 | 1090868 | SMALL PIN BLISTER PACK |
| J+5 | 1090888 | ACCESSORIES BAG BIGCHO2 / BIGSTAL 2 |
| J+5 | 1090950 | 2 BULBS 24 V LAKCHO (BLISTER) |
| J+5 | 1090959 | VALVE BODY LAKCHO-BLISTER |
| J+5 | 1090963 | HEATING PART 24V/50W LAKCHO-BLISTER |
| J+5 | 1090992 | BLISTER WITH 1 FLOAT FOR BIGCHO 2/LAC 10 |
| J+5 | 1091065 | BAG WITH 2 FLAT RUBBERS 29X20X2 STALL 3000 |
| J+5 | 1091098 | BAG OF 2 NEW COMPLETE LED GREEN LIGHT 24V |
| J+1 | 1190313 | DRAIN PLUG Ø15 PL BIGCHO 2 |
| J+5 | 2250103 | STAINLESS STEEL SCREW 8X20 |
| J+5 | 4021412 | 1 M SCTIKY FOAM SEAL 6X4 |
| J+1 | 4110366 | COMPLETE VALVE ASSEMBLY BIGCHO 2 / LAC 10 |
| J+5 | 4130418 | STAINLESS STEEL BOWL FOR BIGCHO 2 |
| J+5 | 4140257 | COVER FOR VALVE BIGCHO 2 |
| J+5 | 4141424 | NON SPILL FRAME ALU BIGCHO 2 |
| J+5 | 4220526 | PLASTIC JET FOR BIGCHO 2/ LAC10 |
| J+1 | 4240127 | HEATER 24V 80W LAKCHO |
| J+5 | 4380621 | FOAM INSULATED PE STAND BIGCHO 2 |
| J+5 | 4590163 | FLEXIBLE HOSE BIGCHO/BIGSTAL 2 |



Shipping time in working days (running out of stock excepted), spare parts tagged with a are dispatched the same day if order received before noon and made of parts tagged with (J) exclusively.