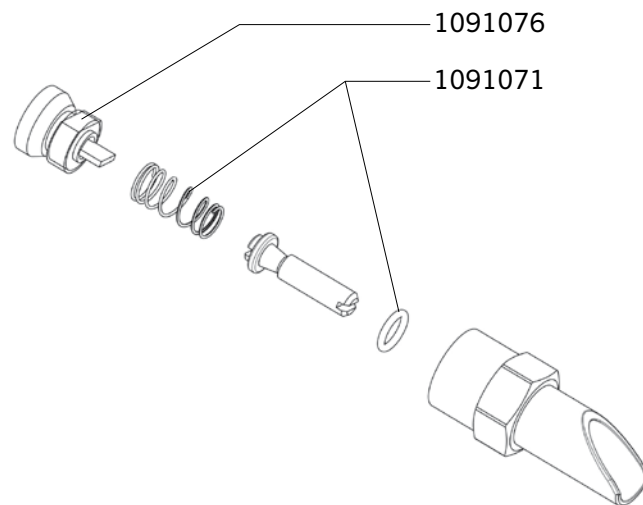
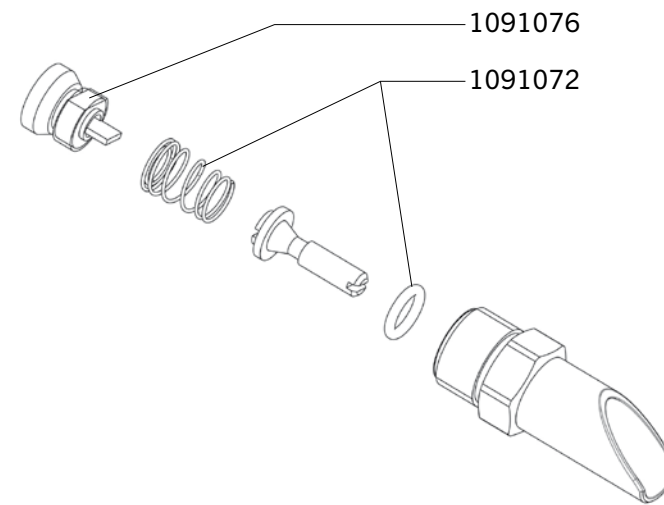


DIRECTO PREMIUM

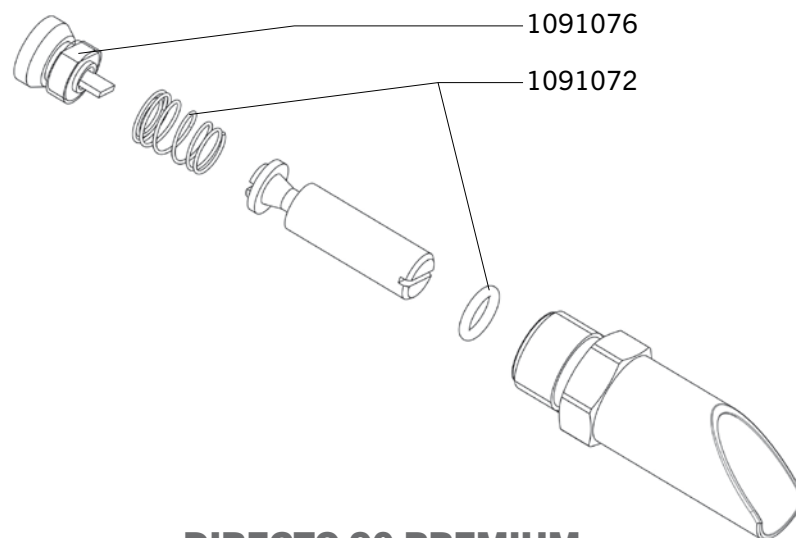
Ref. 1816 - 1817 - 1818



DIRECTO 50 PREMIUM





DIRECTO 70 PREMIUM



DIRECTO 90 PREMIUM

Ship.	Code	Designation
J+5	1091071	5 X STAINLESS STEEL SPRING DIRECTO 50 PREMIUM
J+5	1091072	5 X STAINLESS STEEL SPRING DIRECTO 70/90 PREMIUM
J+5	1091076	5 X COMPL.WATER-FLOW ADJUSTMENT PIECE

Shipping time in working days (running out of stock excepted), spare parts tagged with a  are dispatched the same day if order received before noon and made of parts tagged with  (J) exclusively.